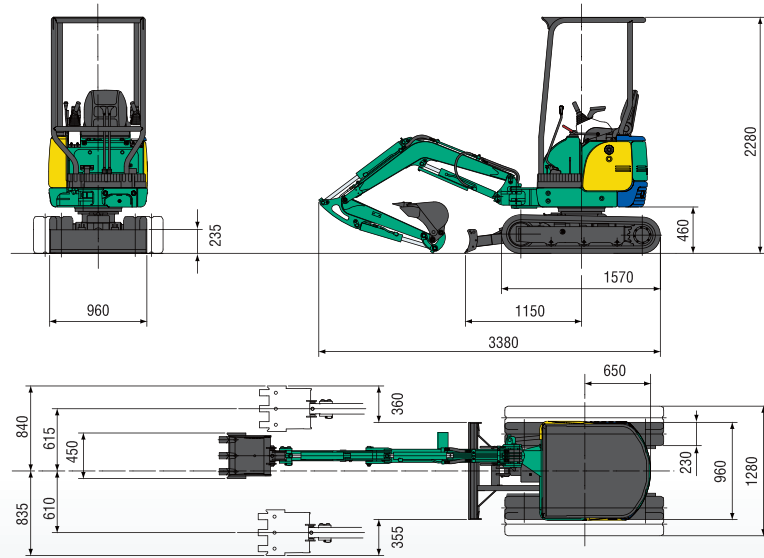
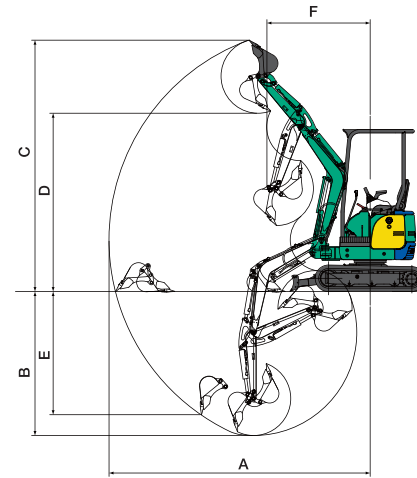


■ Dimensions (Unit:mm)



■ Working Range (Unit:mm)



	4post	2post
A Max. digging radius	3760 (3990)	3760 (3990)
B Max. digging depth	2100 (2350)	2100 (2350)
C Max. digging height	3610 (3810)	3610 (3810)
D Max. dumping height	2560 (2760)	2560 (2760)
E Max. vertical digging depth	1770 (2010)	1770 (2010)
F Min. front turning radius	1490 (1580)	1490 (1580)
At right boom swing	1280 (1340)	1280 (1340)

※4Post : ROPS/TOPS Canopy
 ※2Post : 2Post Canopy
 ※() : Figures for long arm



15VX Mini Excavator

Standard Bucket Capacity : ISO 0.044m³

**1.5ton, 0.96m-1.28m Variable Crawler.
 Pass through 1m width.**

■ 15VX Specifications

Model	15VX
• Performance	
Bucket capacity	0.044m ³
Bucket width	450mm
Operating weight : 4post (2post)	1625kg (1595kg)
Transportation weight : 4post (2post)	1550kg (1520kg)
Swing speed	9.5min ⁻¹
Travel speed (low/high)	2.1/4.0km/h
Gradeability	58% (30°)
Ground pressure	26.2kPa (0.27kgf/cm ²)
Max.bucket digging force	16.4kN (1670kgf)
• Engine	
Model	YANMAR 3TNV70
Rated output	10.5kW(14.3PS)/2300min ⁻¹
Fuel tank capacity	20 L
• Boom swing system	
Type	Boom offset with hydraulic cylinder
Swing angle (L/R)	55° / 80°
• Hydraulic system	
Pressure	20.6MPa (210kgf/cm ²), 18.1MPa (185kgf/cm ²)
Pump hydraulic flow	17.2L/min × 2 + 12L/min
• Dozer blade	
Size	960mm × 235mm
Lift above ground / Drop below ground	275mm / 310mm



2 Post Canopy Auxiliary hydraulic piping Rubber Pad for Steel Shoe

■ Options

• Long-arm (standard + 250mm)	
• Steel Shoe (230mm)	
• Additional dozer blade	
• Auxiliary hydraulic piping (29L/min)	
• 2 Post Canopy	
• Additional Counterweight (100kg)	
• Rubber Pad for Steel Shoe	
	Bucket
	0.024m ³ / Digging bucket (300mm width)
	0.033m ³ / Long arm bucket (350mm width)
	0.055m ³ / Loading bucket (550mm width)



Wide Spanner **SPANNER**

Spanner function(960mm ↔ 1280mm) has been equipped as standard. The wide span amount contributes to improved stability while allowing entry into tight spaces.



Enters tight spaces only 1m wide.

The upper structure has a width of 980mm. So it can be into spaces as narrow as 1 meter.



ROPS/TOPS Canopy

4 post canopy (ROPS&TOPS) equipped as standard. It is possible easily to take off its canopy.



Easy maintenance

The fully opening engine cover helps simplify maintenance. And the radiator and oil cooler are made of aluminum for superior corrosion resistance.

Eco-friendliness and Safety

- Engine compliant with gas emission for EC Stage IIIA and EPA Tier4.
- Conform to the EC low noise regulation.
- Swing parking brake equipped as standard.
- 4 post canopy (ROPS&TOPS) equipped as standard.

Easy Operation

- Closer distance between bucket and dozer blade.
- Improved stability with Wide Spanner. (960mm ↔ 1280mm)
- Enters tight spaces only 1m wide.
- Joystick lever control with arm rest enables precision operation.

Easy Maintenance

- The radiator and the oil cooler are made of aluminum and corrosion resistance.
- Segmented boom cylinder hoses for easier replacement.

Rugged Body

- The engine cover and the side cover are the drugged pressed steel.
- Equipped the rugged dozer blade.
- Bucket cylinder hoses are placed inside of arm.
- High Flange Roller to avoid taking Rubber shoe off.