



45V
Four



55V
Four



60V
Four

- Please read carefully instruction manuals before operating machines, and use them correctly and safely.
- Please perform periodically check and maintenance for machines to prevent from troubles and accidents.
- Photographs may differ in some cases from actual objects. Specifications are subject to change without notice due to technical improvements or modifications.

IHI

Realize your dreams

IHI Construction Machinery Limited

Sales Division

3174 Showa-machi, Kanazawa-ku, Yokohama, Kanagawa 236-8611, Japan
Tel: +81-45-276-1249 Fax: +81-45-276-2583
<http://www.ihikenki.co.jp>

Distributed by:

IHI
Realize your dreams

Short Tail Swing Mini Excavators
45V4 / 55V4 / 60V4

45V
Four

55V
Four

60V
Four



IHI Construction Machinery Limited

**THE ALL NEW V4
THAT BRINGS IN CUSTOMER NEEDS**

C
Comfortable



55V4



45V4



60V4

S
Safety

E
Economy

H
High Performance

FOUR EVOLUTION

Safety EVOLUTION

WORLD-STANDARD SAFETY

- ROPS/FOPS Compliance Operator Room
- ROPS/FOPS Canopy (Standard)
ROPS Cabin (Option) • FOPS Cabin (Option)

ERROR-PREVENTION

- All-lever lock structure
- Neutral engine-start structure
- Auto-parking brake in swing & traction motors



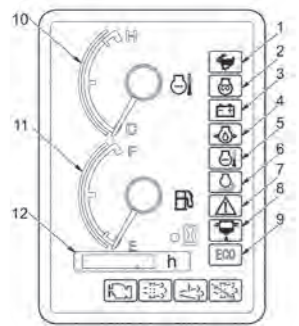
All operations are blocked when the lever is raised.

Comfortable EVOLUTION

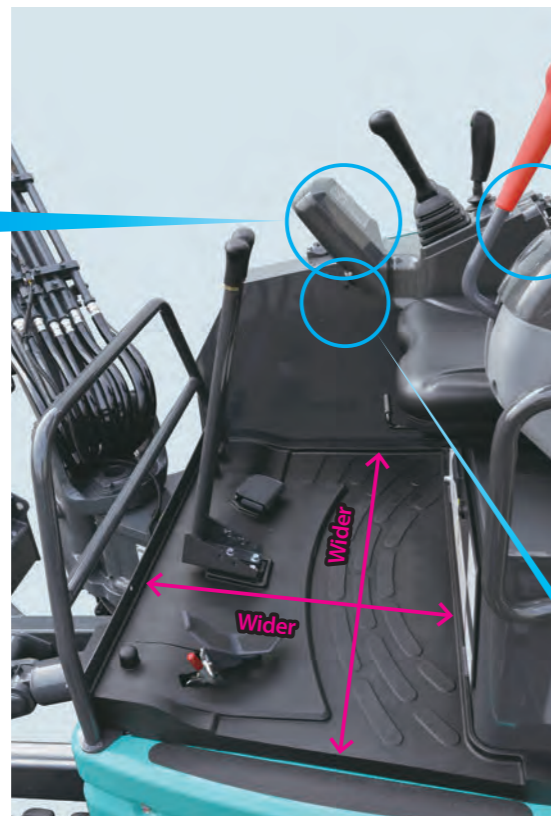
COMFORTABLE OPERATOR ROOM AND EASY MANIPULATION



- Easily visible monitor



- 1 Travel speed indicator
- 2 Glow indicator
- 3 Battery charge warning indicator
- 4 Engine oil pressure warning indicator
- 5 Water temperature warning indicator
- 6 Auto idle indicator
- 7 Control lock warning indicator
- 8 Water-separator warning indicator
- 9 ECO mode indicator
- 10 Water temperature gauge
- 11 Fuel gauge
- 12 Hour meter



- Legroom enlarged by 20%
- Cabin room enlarged by 25%

*Comparison with our former models



- Centralized switches (Right console box)

- A Engine starter switch
- B Throttle dial
- C Auto idle selector switch
- D Light switch
- E Work mode selector switch



- Spare power port (12V 10A)



ROPS/FOPS Canopy (Std.)



ROPS Cabin (Opt.)

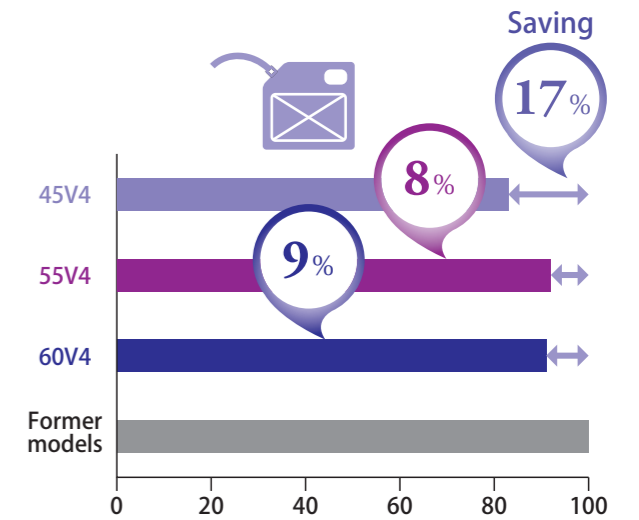
Economy EVOLUTION

LOW FUEL CONSUMPTION

- 45V4 **Max. 17%**
- 55V4 **Max. 8%**
- 60V4 **Max. 9%**

Fuel saving

*Comparison with our former models (in use of Auto Idle & Eco Mode)



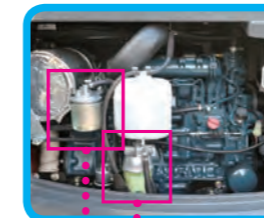
EASY MAINTENANCE

- Large covers for easier access



Wide Open

- Engine room



- Right hand cover

- Trouble reduction by 3 measures

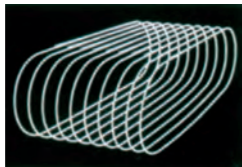


* The warning indicator turns on if water is collected up to the specified level.

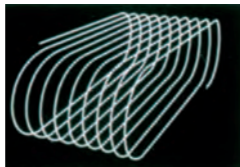
DURABLE AND REPAIRABLE

Warranted and durable rubber shoes "Tough Track"

The rubber shoe is warranted for either 2 years or 1500 hours against steel cord cut-off. (Terms and conditions are based on our warranty standards.)



Overlap structure



Tough Track spiral structure

	Conventional	Tough Track
Core metal shape		
Core metal edge FEM analysis		

Easily adjustable pins and longer life



Single-structured Swing Pin



Castle Nut for Boom and Arm joints

Boom and Arm joints



Castle Nut for Arm-end

Arm-end

Durable structure and easy care



Bucket rattle adjuster

SELECTABLE WORKING MODES

Workable slowly and economically

Workable speedily and poerfully

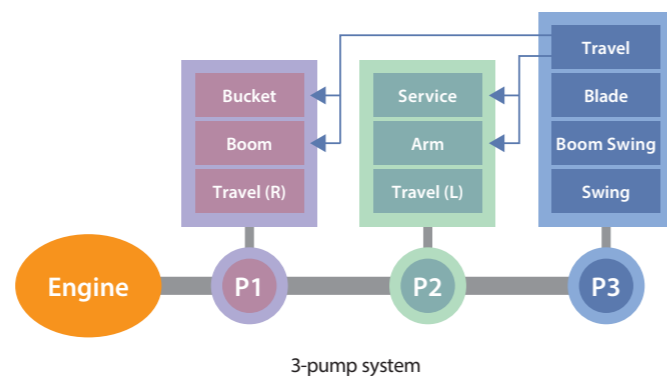
Selectable

ECO Mode
(Fuel saving)

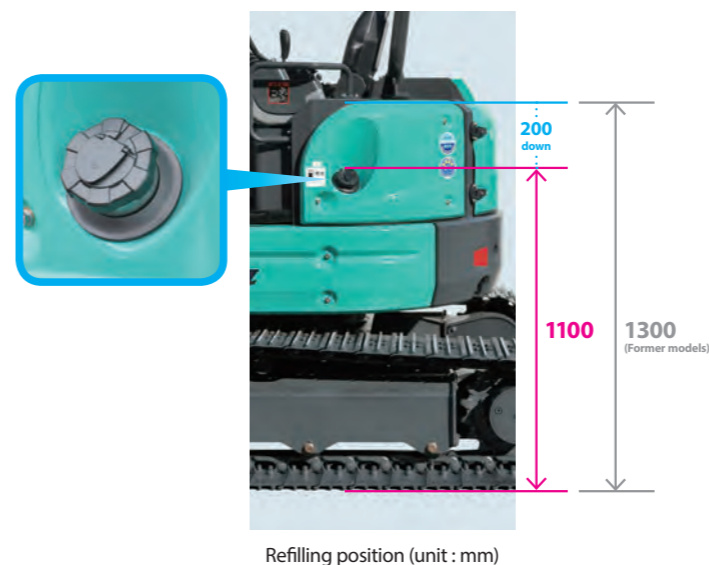
Vmax Mode
(High speed)

HIGH POWER DIGGING AND QUICK RESPONSE

- Bucket digging force increased by 10% (*Comparison with our former models)
- Quickly responsive 3-pump system



EASY FUEL REFILLING



AUTO-SHIFT TRACTION

- Automatically shifted travel function



Auto high speed mode



Low speed mode selector switch

EASY SKIMMING WORK

- Close distance between Bucket Tooth and Dozer Blade



45V4



55V4



60V4

EXCELLENT STABILITY

- Enlarged stability by counterweight design



45V4



55V4



60V4



STEEL CABIN

WIDE OPEN SPACES



●Fully openable windows



●High Ceiling



●Upper window



●Retractable



Right side view



Frontal view



Left side view



Right side windows



Inside view



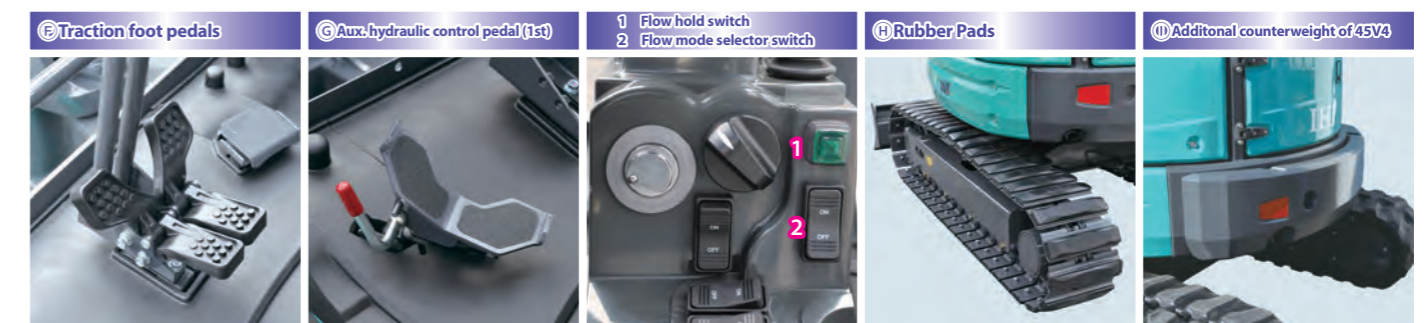
left side door

High Performance EVOLUTION

EQUIPMENT / OPTIONS

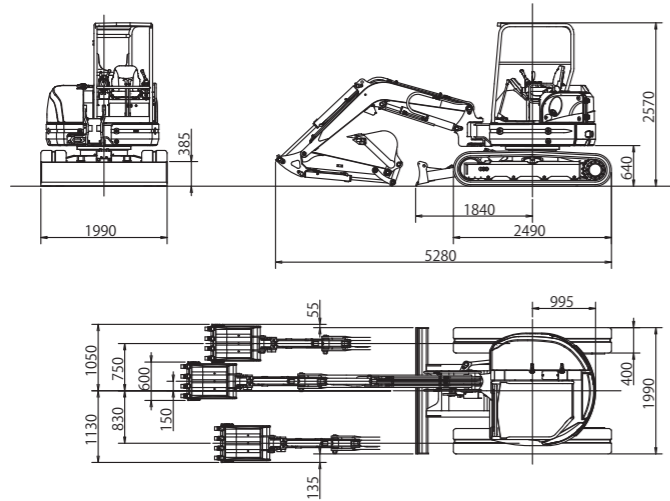
Description	Standard equipment	Optional equipment		Remarks
Operator room	ROPS/FOPS Canopy (4-Post)	ROPS Cabin ^(A)	2-Post Canopy ^(B) (※)	(※) No ROPS compatibility
		FOPS Guard		
		Heater or Air-conditioner		
Seat	Suspension Seat	High back suspension seat ^(C)	Fabric suspension seat	
Control lever	with propotional switch ^(D)	w/o propotional switch (※)		(※) combination with ^(G)
Lever pattern	Type A (ISO standard)	AF changer	ABCD changer ^(E)	
Control pedal	Boom swing pedal	Traction foot pedals ^(F)	1st aux. hydraulic control pedal ^(G)	
Crawler	Rubber shoes	Steel shoes	Rubber Pads ^(H)	
Arm	Standard arm	Long arm (+250mm)		
Buacket	Standard bucket	Digging buckets (※)	Loading buckets (※)	(※) Various sizes
Auxiliary hydraulics	1st auxiliary hydraulic piping	2nd auxiliary hydraulic piping	3rd auxiliary hydraulic piping	

Other options	Remarks
● Dust preventive net	For Radiator
● Rear-view mirror	For combination with Steel Cabin
● Additional counterweight ^(I)	45V4 only
● Overload relief valve	
● Motion alarm	

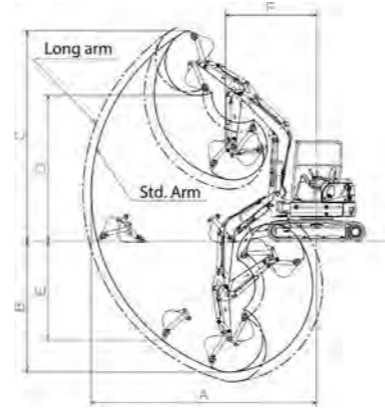


45V4

45V4 Dimensions (unit : mm)



45V4 Working Range (unit : mm)



		Std. Arm	Long arm
A	Max. digging radius	5760	5970
B	Max. digging depth	3340	3590
C	Max. digging height	5380	5470
D	Max. dumping height	3720	3820
E	Max. vertical digging depth	2520	2690
F	Min. front turning radius	2320	2420
	At right boom swing	2010	2100

45V4 Specifications

Performance

Bucket capacity	0.14m ³
Bucket width	600mm
Operating weight : Canopy (Cabin)	4705 (4855) kg
Transportation weight : Canopy (Cabin)	4630 (4780) kg
Swing speed	9.3min ⁻¹
Travel speed (low/high)	2.9/4.6km/h
Gradeability	58% (30°)
Ground pressure	27kPa (0.28kgf/cm ²)
Max bucket digging force	31.0kN (3160kgf)

Engine

Model	KUBOTA V2403-DI
Rated output	32.4kW (44.1PS) /2400min ⁻¹
Fuel tank capacity	66L

Boom swing system

Type	Boom offset with hydraulic cylinder
Swing angle (L/R)	80° / 50°

Hydraulic system

Pressure	24.5MPa (250kgf/cm ²) 20.6MPa (210kgf/cm ²)
Pump hydraulic flow	60.0 L/min×2+ 44.2 L/min

Dozer blade

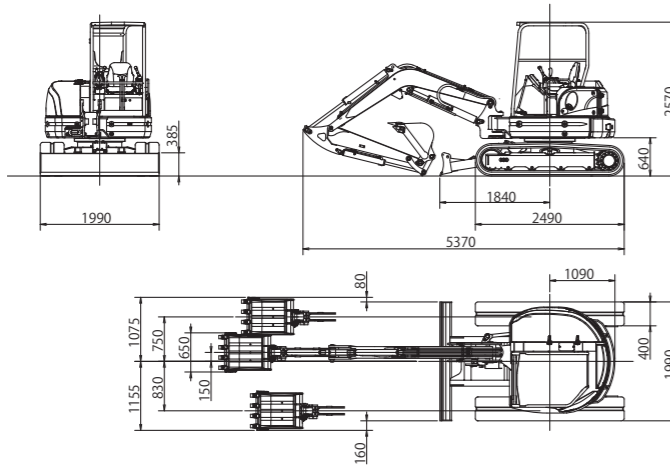
Size	1990×385mm
Lift above ground / Drop below ground	460mm / 430 mm

Max auxiliary flow

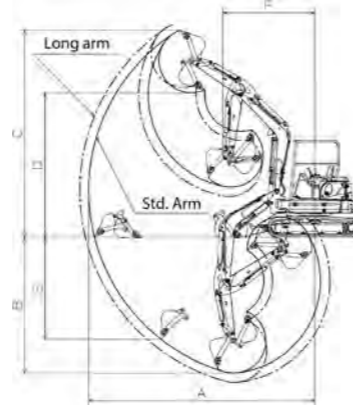
1st line	104 L/min
2nd line	44 L/min

55V4

55V4 Dimensions (unit : mm)



55V4 Working Range (unit : mm)



		Std. Arm	Long arm
A	Max. digging radius	5970	6200
B	Max. digging depth	3590	3830
C	Max. digging height	5470	5610
D	Max. dumping height	3820	3960
E	Max. vertical digging depth	2690	2930
F	Min. front turning radius	2420	2460
	At right boom swing	2100	2130

55V4 Specifications

Performance

Bucket capacity	0.16m ³
Bucket width	650mm
Operating weight : Canopy (Cabin)	5065 (5215) kg
Transportation weight : Canopy (Cabin)	4990 (5140) kg
Swing speed	9.3min ⁻¹
Travel speed (low/high)	2.9/4.6km/h
Gradeability	58% (30°)
Ground pressure	29kPa (0.30kgf/cm ²)
Max bucket digging force	31.0kN (3160kgf)

Engine

Model	KUBOTA V2403-DI
Rated output	32.4kW (44.1PS) /2400min ⁻¹
Fuel tank capacity	66L

Boom swing system

Type	Boom offset with hydraulic cylinder
Swing angle (L/R)	80° / 50°

Hydraulic system

Pressure	24.5MPa (250kgf/cm ²) 20.6MPa (210kgf/cm ²)
Pump hydraulic flow	60.0 L/min×2+ 44.2 L/min

Dozer blade

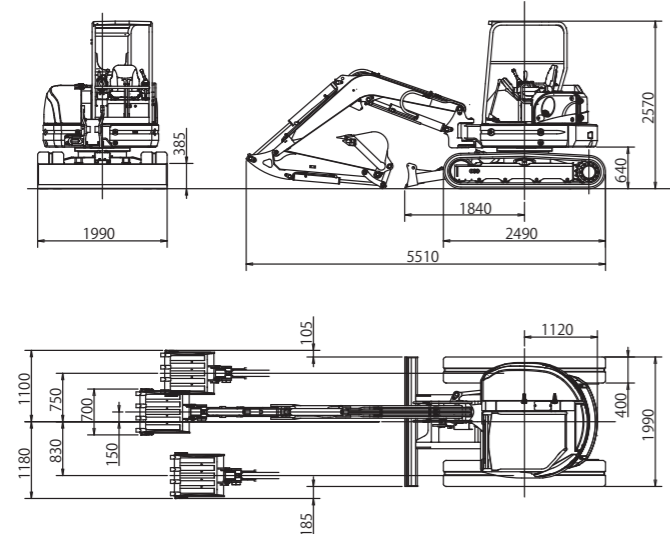
Size	1990×385mm
Lift above ground / Drop below ground	460mm / 430 mm

Max auxiliary flow

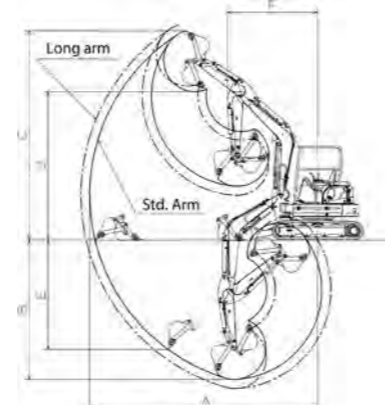
1st line	104 L/min
2nd line	44 L/min

60V4

60V4 Dimensions (unit : mm)



60V4 Working Range (unit : mm)



		Std. Arm	Long arm
A	Max. digging radius	6200	6440
B	Max. digging depth	3800	4040
C	Max. digging height	5710	5860
D	Max. dumping height	4050	4200
E	Max. vertical digging depth	2980	3220
F	Min. front turning radius	2450	2470
	At right boom swing	2120	2130

60V4 Specifications

Performance

Bucket capacity	0.18m ³
Bucket width	700mm
Operating weight : Canopy (Cabin)	5425 (5575) kg
Transportation weight : Canopy (Cabin)	5350 (5500) kg
Swing speed	9.3min ⁻¹
Travel speed (low/high)	2.9/4.6km/h
Gradeability	58% (30°)
Ground pressure	31kPa (0.32kgf/cm ²)
Max bucket digging force	41.2kN (4200kgf)

Engine

Model	KUBOTA V2403-DI
Rated output	32.4kW (44.1PS) /2400min ⁻¹
Fuel tank capacity	66L

Boom swing system

Type	Boom offset with hydraulic cylinder
Swing angle (L/R)	80° / 50°

Hydraulic system

Pressure	24.5MPa (250kgf/cm ²) 20.6MPa (210kgf/cm ²)
Pump hydraulic flow	60.0 L/min×2+ 44.2 L/min

Dozer blade

Size	1990×385mm
Lift above ground / Drop below ground	460mm / 430 mm

Max auxiliary flow

1st line	104 L/min
2nd line	44 L/min