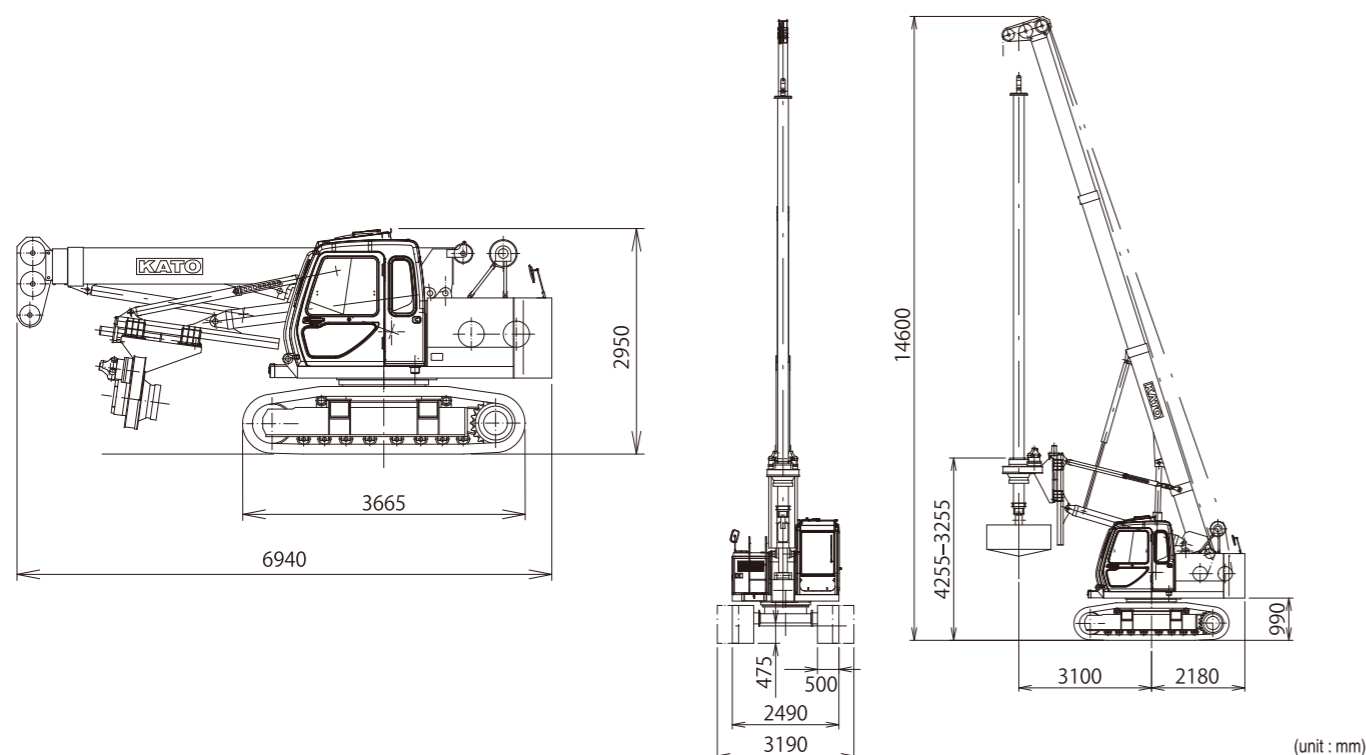


## KE-1500<sub>II</sub> Dimensions



(unit : mm)

## KE-1500<sub>II</sub> Major specifications

Name	Earth boring rig
Model	KE-1500III
Weight	Approx. 23,000kg
<b>Major dimensions</b>	
Length	5,680mm (Operation) / 6,940mm (Transportation)
Height	14,600mm (Operation) / 2,950mm (Transportation)
Width	3,190mm (Operation) / 2,490mm (Transportation)
Lowest height from ground level	475mm
Tail swing radius	2,180mm
Crawling width	500mm (with flat shoe)
<b>Engine</b>	
Name	Cummins QSB4.5 diesel engine
Type	In-line, 4-cycle, water cooled, direct injection diesel engine with turbo charger
Rated output	98kW/2,000min <sup>-1</sup>
Max. torque	568N-m/1500min <sup>-1</sup>
<b>Fuel tank</b>	
Capacity	230L
<b>Hydraulic operating oil tank</b>	
Capacity	180L

<b>Performance</b>	
Boring depth	Approx. 43m (without the excavating tools)
Boring diameter	φ 900mm ~ φ 1,500mm (for general soil texture) φ 1,800mm (for soft soil texture) *1
Bucket rotation torque	40kNm
Bucket rotation	0 ~ 12rpm <sup>-1</sup>
Rotary table up/down stroke	1,000mm
<b>Kelly winch (with free wheel)</b>	
	Type: Single axis, Single cylinder, and hydraulic system
	Hoisting force: 69kN
	Hoisting speed: 85m/min *3
	Wire rope: φ 20mm × 65m
<b>Auxiliary winch (with free wheel)</b>	
	Type: Single axis, Single cylinder, and hydraulic system
	Hoisting force: 29kN *2
	Hoisting speed: 75m/min *3
	Wire rope: φ 16mm × 45m
Boom hoisting angle	0 ~ Max. 80 degrees
Swing speed	Max. 3.0rpm
Travel speed	0 ~ 2.8km/h
Gradability	70%
Average ground pressure	73kPa

(Note)

\*1) "Soft soil texture" indicates a soil formation of loam and soft silt (N<sub>u</sub> 30).

\*2) Hoisting force of the auxiliary winch changes depending on the boom hoisting angle. This force indicates the capability of hoisting the stand pipe, iron cage or tremie pipe during the earthboring operation.

\*3) The speed changes depending on magnitude of the load.

<http://www.kato-works.co.jp>

- NOTE :
- Operate this machine only after carefully reading and understanding the cautions in the Operation Manual.
  - Please note that your machine may have equipment, accessories or colors different from shown in this catalog due to improvement of the machine etc.
  - Please note that specifications are subject to change(s) without any notice.
  - The body color and/or interior color shown may be different from the actual color due to conditions in taking the pictures and/or printing the catalog.



# KATO

QUALITY & EXPERIENCE  
SINCE 1895

## KATO WORKS CO.,LTD.

9-37, Higashi-ohi 1-chome, Shinagawa-ku, Tokyo 140-0011 Japan.

Tel. : Head Office Tokyo(03)3458-1111

Overseas Marketing Department Tokyo(03)3458-1115

Fax. : Tokyo(03)3458-1163

# KATO

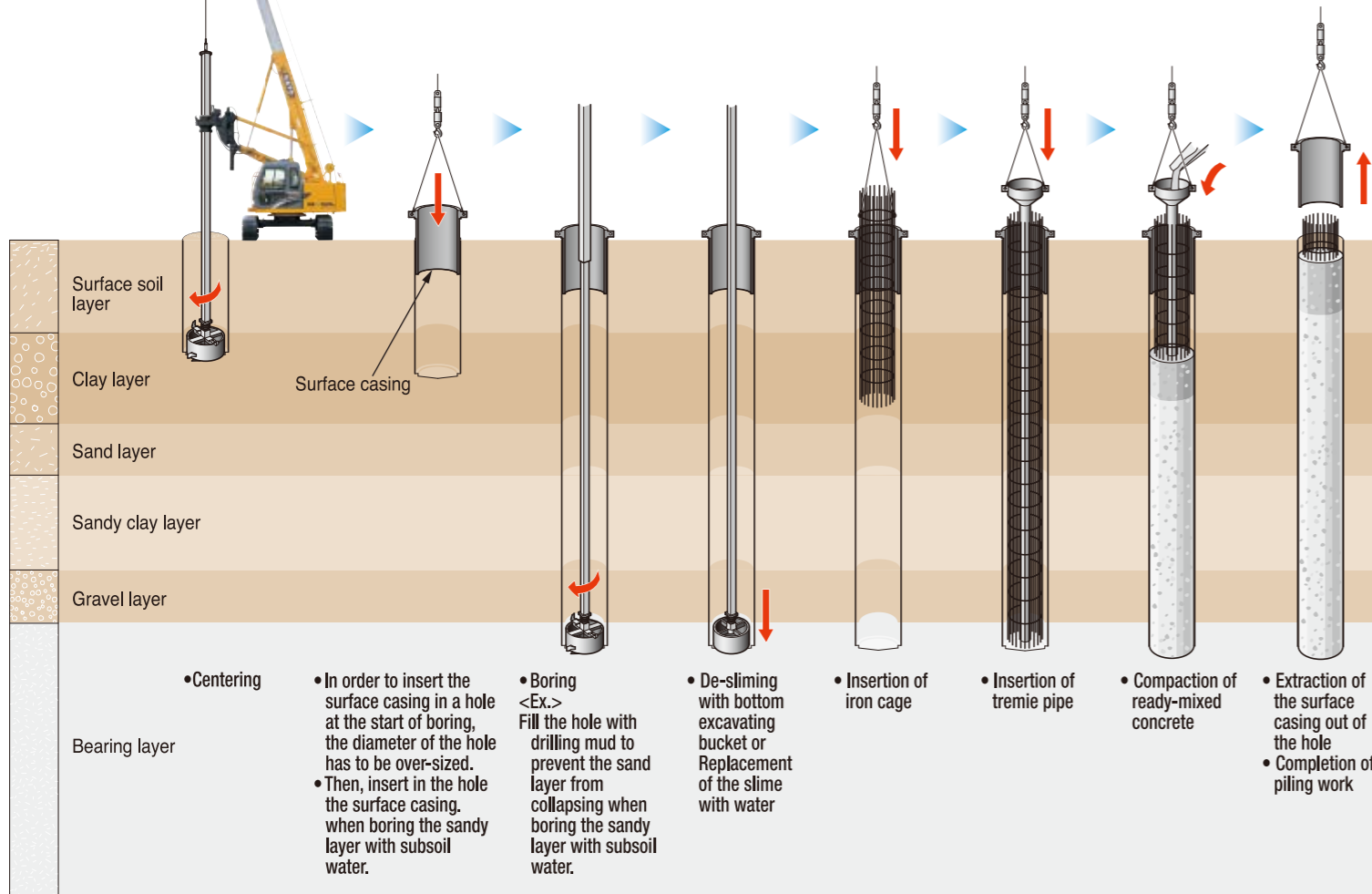
# REGZM

《FULLY HYDRAULIC》 EARTH BORING RIG

# CITY DRILL KE-1500<sub>III</sub>



# Easily & Speedy You can build foundation props with New KATO KE-1500III



Easy assemble, Easy taking apart

Compact but with big performance

- Max. boring diameter .....  $\phi 1,500\text{mm}$
- Max. boring depth ..... 43m
- Engine output ..... 98kW/2,000min<sup>-1</sup>
- Tail swing radius ..... 2.18m
- Ground pressure ..... 73kPa

Excellent mobility in the narrow space

Convenient auxiliary winch for crane operation

Comfortable cabin and highly functional arrangement

