



**Incorrect replacement
or not using genuine filters**



can result in
clogged filters



Damaged hydraulic components



which may result in
**increased
maintenance costs**

Progress to the Next Stage



<http://www.kato-works.co.jp/eng/>



KATO WORKS CO.,LTD.
9-37, Higashi-ohi 1-chome, Shinagawa-ku, Tokyo 140-0011, Japan.

● Contact for enquiry:

KATO

KATO GENUINE PARTS

FILTER



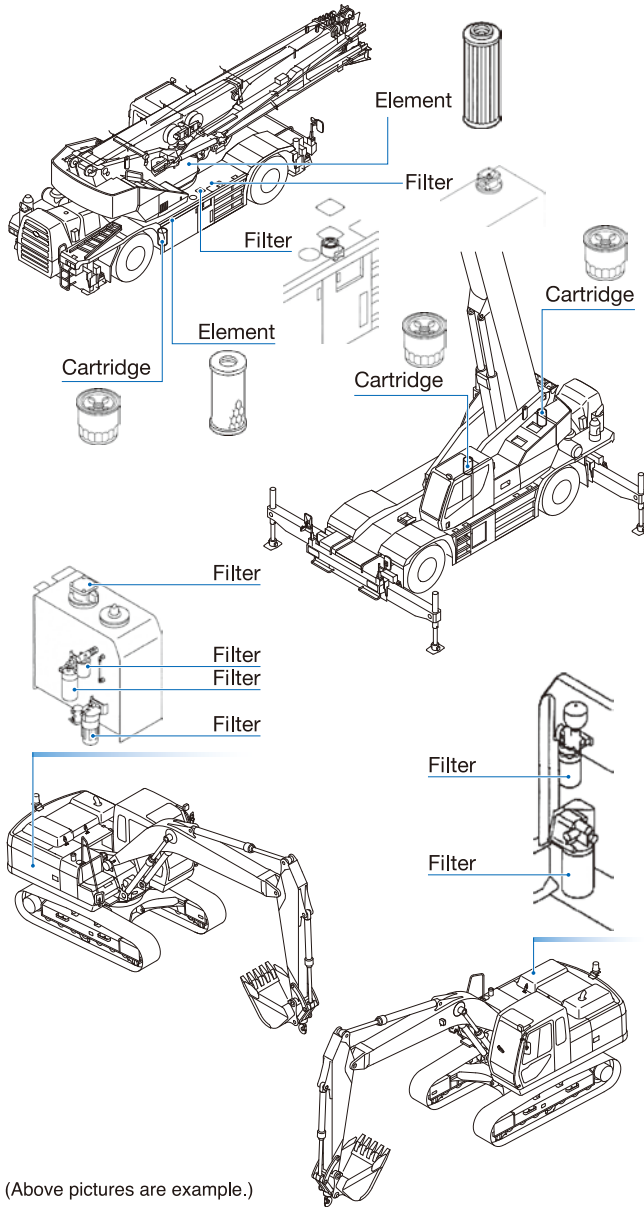
Filter Kit for SR-700L



Filter Kit for HD820R

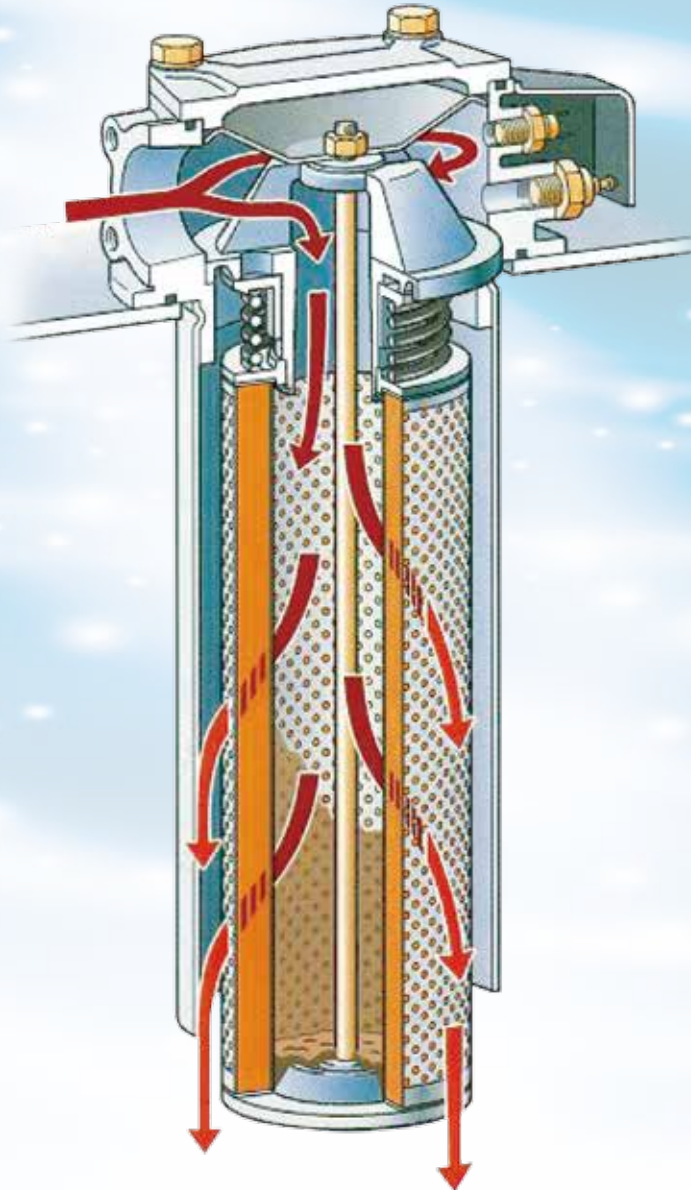
KATO various filters

Location of filters



KATO Return Filter

In → Out type
Less contamination when performing replacement.



Filtration test GENUINE vs IMITATION



➔ **KATO filter even oil filtration catches contaminants better.**

Using our genuine parts should help reducing your machines' downtime or breakdown, when you replace parts such as filters etc., please always use genuine KATO or KATO-approved products.