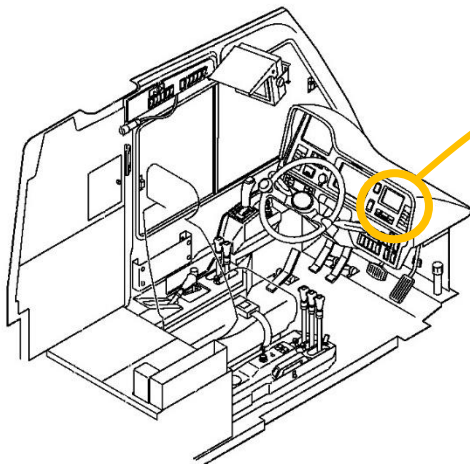


How to see Cummins error code



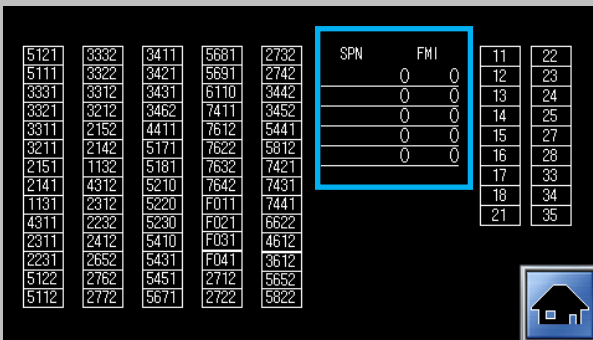
Engine check lamp
ON



An engine error has occurred.
Press "OK" on the ERROR
screen.

The error number is displayed.

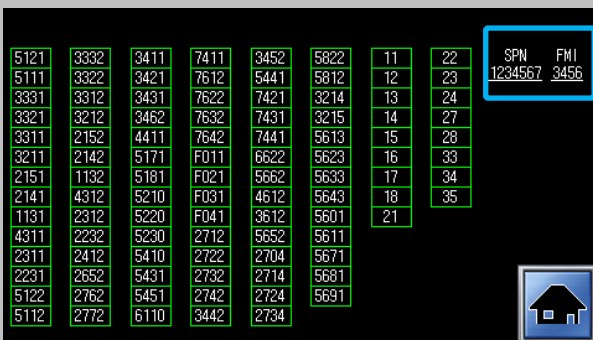
The error display method differs depending on the model.



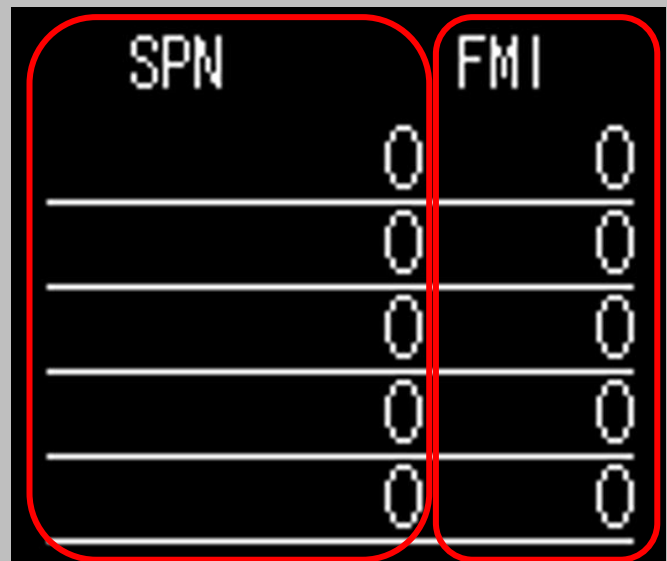
MR-200Rf

SPN and FMI

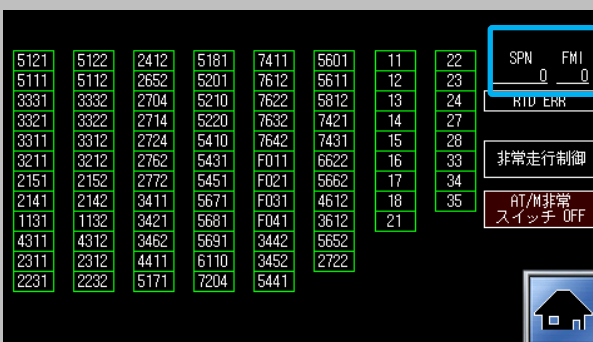
Here is the error number.



MR-250Rf



Error display



MR-350Rf