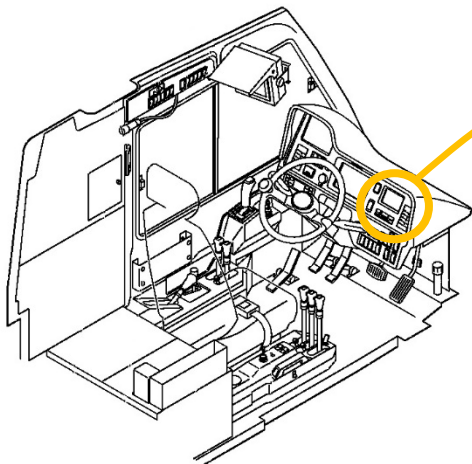


How to see Daimler error code



Engine check lamp ON

An engine error has occurred. Press "OK" on the error screen. The error number is displayed.

PAGE 2

Pressing an PAGE2 displays the Engine error.

CPC		MCM		ACM	
SPN-FMI 1	0 0	SPN-FMI 1	0 0	SPN-FMI 1	0 0
SPN-FMI 2	0 0	SPN-FMI 2	0 0	SPN-FMI 2	0 0
SPN-FMI 3	0 0	SPN-FMI 3	0 0	SPN-FMI 3	0 0
SPN-FMI 4	0 0	SPN-FMI 4	0 0	SPN-FMI 4	0 0
SPN-FMI 5	0 0	SPN-FMI 5	0 0	SPN-FMI 5	0 0

PAGE2

	SPN	FMI
SPN-FMI 1	0	0
SPN-FMI 2	0	0
SPN-FMI 3	0	0
SPN-FMI 4	0	0
SPN-FMI 5	0	0

SPN and **FMI**

Here is the error number.