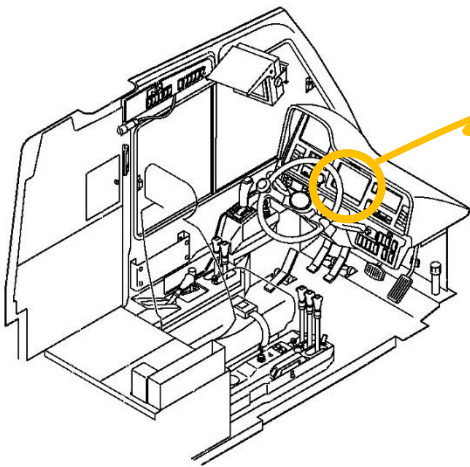


# How to see HINO/Mitsubishi error code



Engine check lamp ON

ECU error codes are displayed in the initial screen that appears when the test mode is started in the information display. Only error codes for currently active are displayed.

A diagnostic tool is required to check the location of past failures or clear the failure history.