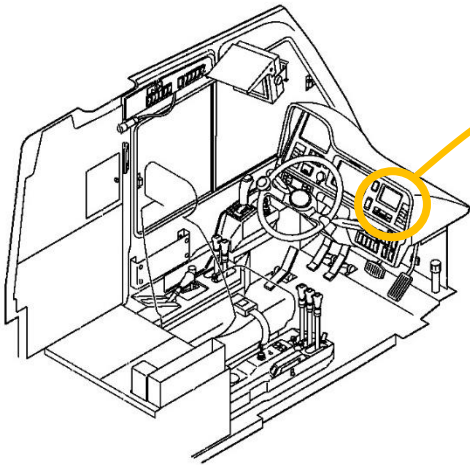
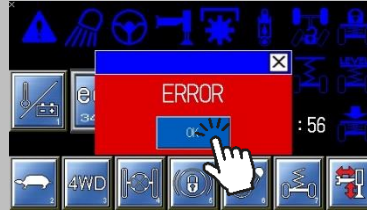


How to see COR error code



Engine check lamp
OFF



There are COR, AT/M, and retarder related errors. Press "OK" on the ERROR screen.

The error display method differs depending on the model.

5121	3332	3411	7411	5441	5601	11	22
5111	3322	3421	7421	7421	5611	12	23
3331	3312	3431	7622	7431		13	24
3321	3212	3462	7632	7441		14	25
3311	2152	4411	7642	6622		15	27
3211	2142	5171	F011	4612		16	28
2151	1132	5181	F021	3612		17	33
2141	4312	5210	F031	5652		18	34
1131	2312	5220	F041	5671		21	35
4311	2232	5230	2722	5681			
2311	2412	5410	2732	5691			
2231	2652	5431	2742	5822			
5122	2762	5451	3442	5812			
5112	2772	6110	3452				

Type A

4-digit error numbers are COR error numbers.

→ check the COR page

2-digit error numbers are ATM error numbers.

→ check the ATM page

5121	3332	3411	6110	F041	7421	5123	4313	11	22	34
5111	3322	3421	7411	2712	7431	5113	2313	12	23	35
3301	3312	3431	7612	2722	7441	3333	2233	13	24	
3321	3212	3462	7622	2732	5822	3323	5613	14	25	
3311	2152	4411	7632	2742	5662	3313	5623	15	27	
3211	2142	5171	7642	3442	4612	3213	5633	16	28	
2151	1132	5181	F011	3452	3612	2153	5643	17	31	
2141	4312	5210	F021	5441	5652	2143	3662	18	32	
1131	2312	5220	F031	5812	5822	1133	3652	21	33	
4311	2232	5230								
2311	2412	5410								
2231	2652	5431								
5122	2762	5451								
5112	2762									

Type B

4-digits error numbers.

→ check the COR page

2-digits error numbers

→ check the ATM page

PAGE

1

PAGE

2

PAGE

3

Pressing an PAGE2 displays the Engine errors.

→ check the Engine page

Pressing an PAGE3 displays Retarder errors.

→ check the Retarder page

Retarder	
ERR	LOG
2	2
3	3
4	4
5	5
6	6
7	7
8	8
9	9