

KATO

EXCEED

HD-250V II *VII* SERIES

FULLY HYDRAULIC EXCAVATOR

Bucket capacity

● CECE heaped :0.25m³

● PCSA, SAE heaped:0.36yd³

Engine output

:55PS/2,200rpm(JIS)

54HP/2,200rpm(SAE, Net)

Gross weight

:6,300kg(13,400lbs)

KATO WORKS CO.,LTD.



Performance is enhanced not only by increased power and capabilities but also by improved handling and responsiveness. A refreshingly elegant color scheme and low-noise design help reduce disturbance to people and the urban environment. The machine's highly-sensitive maneuverability makes it ideal for operations on restricted work sites. The HD-250VII is designed for unobtrusive, effective operations in cities.



EXCEED
VII SERIES



The prodigious abilities of the new double-pump system deliver smoother, speedier working operations, and sophisticated handling features that leave the rest of the field standing.

Variable double piston pump guarantees high operating efficiency and low fuel consumption.

● In addition to a highly fuel-efficient direct-injection engine, the HD-250VII boasts a variable double piston pump which adjusts the power and speed automatically according to the workload. The pump also takes full advantage of the engine's 55 hp output to deliver enormous power for heavy operations and high operating speeds for light work, while at the same time reducing fuel consumption.



Functional deluxe cab designed to guarantee a comfortable and spacious working environment

● The deluxe cab combines state-of-the-art functionality with pleasant and comfortable surroundings. The ceiling and sides are well insulated and sound-proofed, the armchair type, fabric-covered seat is fully-adjustable, and tinted safety glass is used to reduce operator eye-strain.



* Includes controls for optional equipment

Extensive operating range and the most powerful digging force in its class.

● This machine has the capacity to dig deeper and over a wider area than any other machine in its class. It can handle a broad range of operations comfortably at greater depth, width and height. In particular, the 4.5-tonne digging force of the bucket and the 3.5-tonne digging force of the arm far exceed those of comparable machines. The HD-250VII deals speedily and effectively with construction work such as laying drainage pipes and digging foundation trenches.

Superior low-noise design assures harmony with urban environments

● Ambient noise levels of 69dB(A)/7m and 58dB(A)/30m during operation have been made possible by the incorporation of a number of features, including a low-noise engine, a sound-proofed engine room and an engine cover fitted with noise-absorbing material. The machine is highly suitable for operations in urban and residential areas and allows night work to be carried out without fear of disturbing people.

Two-mode (M/L) switching and one-touch slow system

● The two-mode (M/L) switchover system allows the operator to select the most appropriate mode for the type of work and worksite conditions and reduce fuel consumption significantly.
● The one-touch slow system cuts fuel costs further by reducing engine speed to middle when the operating lever is in neutral.

Smallest swing radius-perfect for work in narrow roads

● Easy selection of a regular swing radius or a small swing radius to suit worksite conditions is provided as a standard feature. The minimum swing radius is ideal for construction work in tunnels, repairing roads, pipe laying and electrical installation work in residential and built-up areas and restricted worksites in cities. The HD-250VII is perfect for work in an urban environment.

High-power, low-fuel-consumption and low-noise direct-injection turbo-charged engine

● Tenacious and reliable, the direct-injection engine is just the start of a thoughtful noise-reducing, fuel-efficient and high-power design. It creates great productivity and low fuel costs.

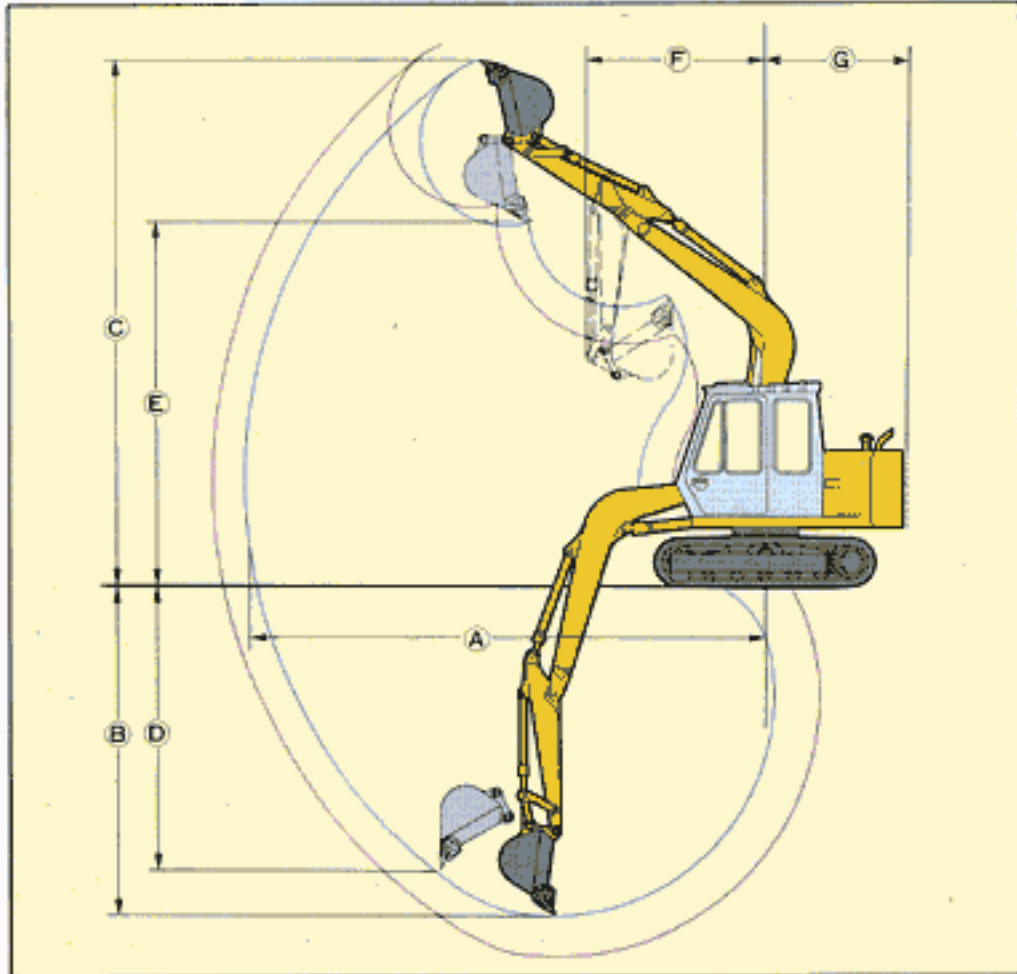


Speedy traveling and powerful traction

● The two-speed travel motor and travel boost system provide the highest speed and most powerful traction of any machine in this class. The machine can travel fast on ungraded land and slopes as well as on flat land, and the operator can select the optimum traveling speed for the worksite conditions with ease.



Working Range



	STD position	Small swing radius
A: Max. digging radius	6,360(20'10")	6,360(20'10")
*B: Max. digging depth	4,120(13'06")	3,550(11'08")
*C: Max. digging height	6,530(21'05")	7,270(23'10")
*D: Max. vertical wall	3,540(11'07")	3,100(10'02")
*E: Max. dumping height	4,480(14'08")	5,160(16'11")
F: Front swing radius	2,190(7'02")	1,690(5'07")
G: Tail swing radius	1,750(5'09")	1,750(5'09")

*: Less grouser bar

Unit: mm(ft-in)

* Main Specifications

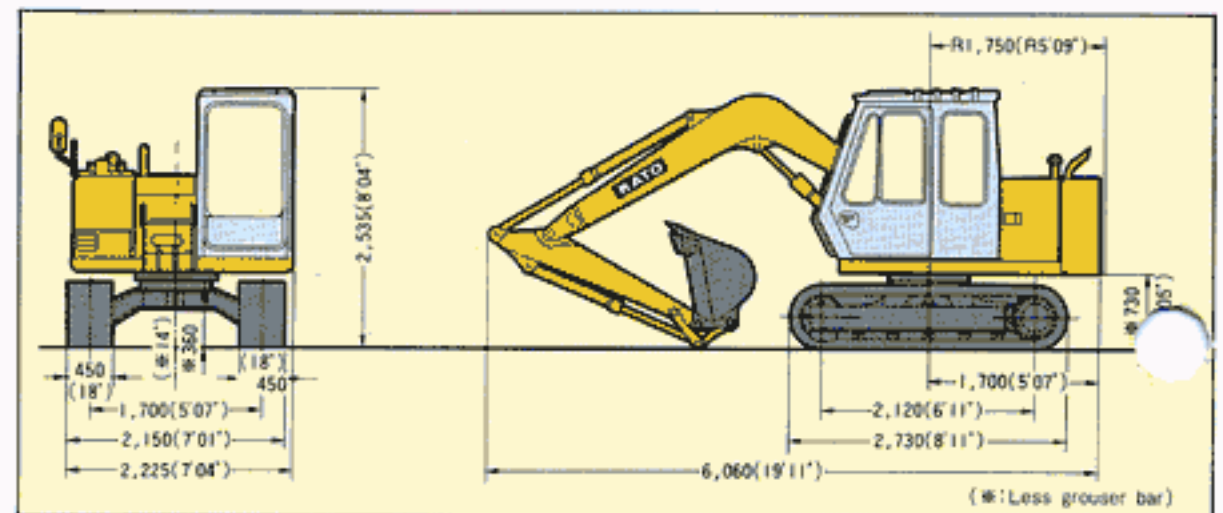
Overall length	6,060mm(19'11")
Overall width	2,225mm(7'04")
Overall height	2,535mm(8'04")
Ground clearance	360(14") (Less grouser bar)
Tail swing radius	1,750mm(5'09")
Track shoe width	450mm(18")
Gross weight	6,300kg(13,900lb)
Ground pressure	0.30kgf/cm ² (4.27psi)
Swing angle	360°
Swing speed	16rpm
Traveling speed	5.5/3.8km/h(3.4/2.4mph)
Gradeability	70% (35°)
Bucket capacity	0.25m ³ (0.11m ³ ~0.30m ³)
Fuel Tank Capacity	140lit. (37.0USgal)

* Engine

Model	Mitsubishi S4F Diesel engine
Total displacement	2,956cc(180in ³)
Rated output	55ps/2,200r.p.m. (JIS)

* Hydraulic system

Pump	Double variable piston pump+gear pump
Swing motor	Piston motor
Travel motors	2 Speed Piston motor×2
Control valves	4+5 section multiple control valves (with service port for dozer blade)
Set pressure	220kgf/cm ² (3,130psi)/280kgf/cm ² (3,980psi) travel

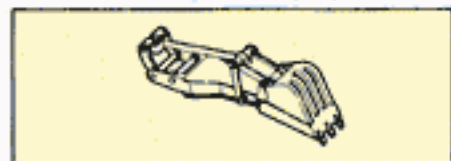


Bucket

Type of bucket	Backhoe bucket						Dredging bucket	Slope forming bucket	Grab bucket	Ditch cleaning bucket	Ejector bucket
	0.11 (0.16)	0.15 (0.21)	0.20 (0.29)	0.25 (0.36)	0.30 (0.44)	0.23 (0.30)					
Bucket capacity m ³ CECE m ³ (yd ³), SAE	0.11 (0.16)	0.15 (0.21)	0.20 (0.29)	0.25 (0.36)	0.30 (0.44)	0.23 (0.30)	0.20 (0.30)	---	0.21(0.27) (Struck)	0.34 (0.55)	0.15 (0.21)
Bucket width	w/o side cutters mm(in)	370(15')	440(17')	555(22')	650(26')	770(31')	1,700(67')	1,400(55')	570(22')	1,000(39')	350(14')
	with side cutters mm(in)	480(19')	555(22')	670(26')	770(31')	890(35')	250(10')	800(31')	---	---	---
Bucket weight	kg lb	165 360	180 400	195 430	230 510	250 550	200 440	305 670	485 1,070	220 480	150 330
Number of bucket teeth		3	3	3	4	4	2	---	3+3	---	3
Shapes of bucket											
Standard boom +	Standard arm	●	●	●	●	▲	●	●	●	●	●
	Long arm	●	●	●	▲	×	●	▲	×	▲	●
	Extension arm	●	▲	×	×	×	×	▲	×	×	▲

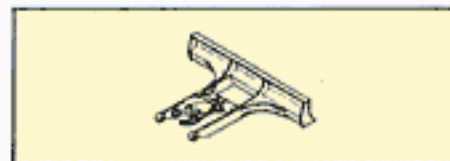
● : General purpose ▲ : Light work × : Unusable ● Yellow colored area means standard.

Extension Arm 700mm(28')



Bucket capacity 0.11m³, 0.15m³(CECE)

Dozer Blade



Type of shoe	Rubber shoe	Grouser shoe	Flat shoe	Triangle shoe			
Shoe width	mm(in)	450(18')	450(18')	600(24')	450(18')	600(24')	700(28')
Overall width	mm(in)	2,150(7'01')	2,150(7'01')	2,300(7'07')	2,150(7'01')	2,300(7'07')	2,400(7'10')
Ground pressure	kgf/cm ² (psi)	0.30(4.26)	0.30(4.26)	0.23(3.27)	0.32(4.55)	0.23(3.27)	0.20(2.84)

Options:

- Electric refueling pump
- Hydraulic piping for breaker
- Hydraulic piping for spare port
- Room fan
- Room heater
- Air-conditioner

KATO

QUALITY & EXPERIENCE
SINCE 1895

KATO WORKS CO., LTD.

9-37, Higashi-ohi 1-chome, Shinagawa-ku, Tokyo 140, Japan

Tel. : Head Office. Tokyo (03) 3458-1111

Overseas Marketing Department Tokyo (03) 3458-1115

Telex : 222-4519 (CRKATO J)

Fax. : Tokyo (03) 3458-1151

Cable : CRANEKATO TOKYO